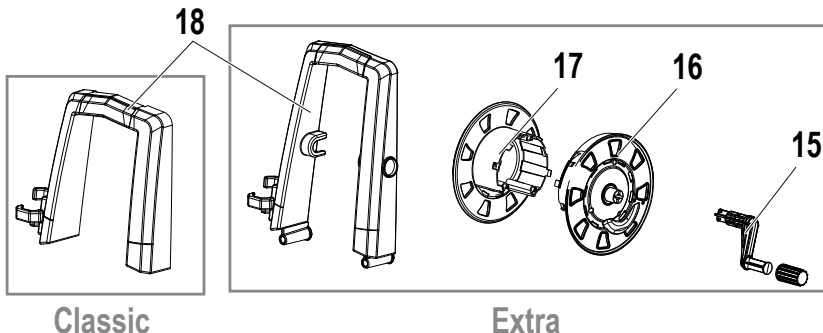
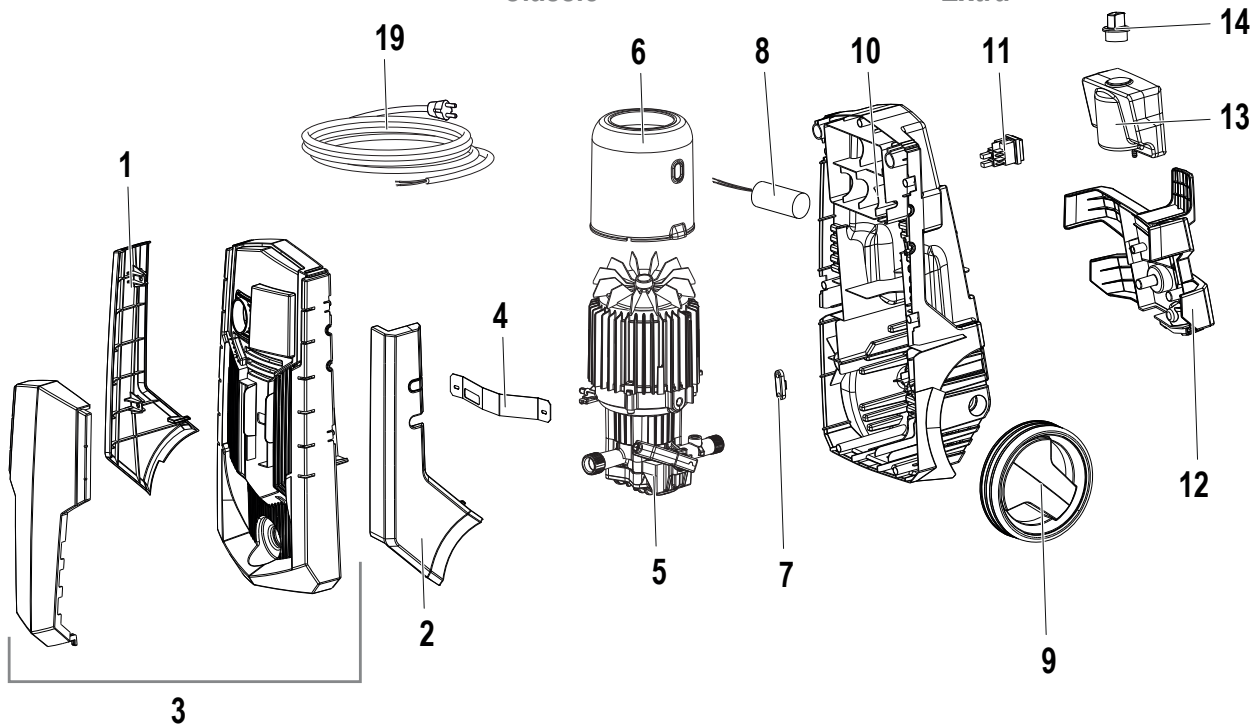


9068 0001:	KLS 1400 CLASSIC	230/50
9068 0101:	KLS 1400 EXTRA	230/50
9068 0002:	KLS 1600 GOLD CLASSIC	230/50
9068 0102:	KLS 1600 GOLD EXTRA	230/50
9068 0103:	KLS 1680 GOLD PLUS	230/50

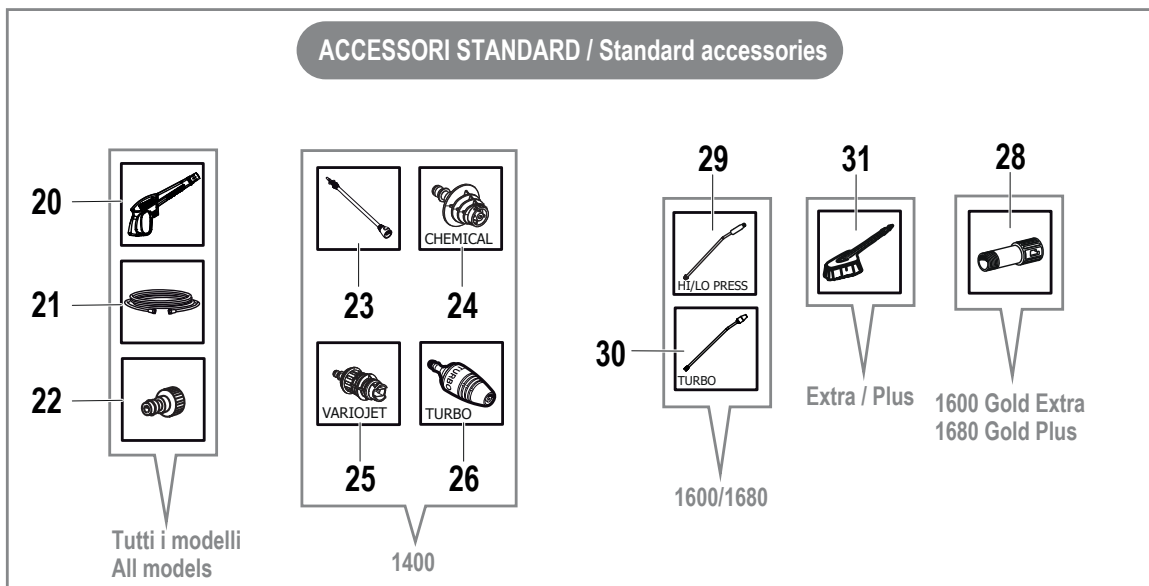


Classic

Extra



ACCESSORI STANDARD / Standard accessories



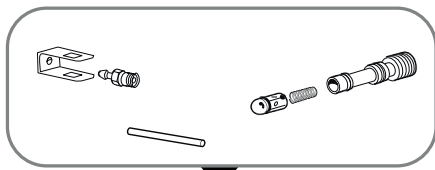
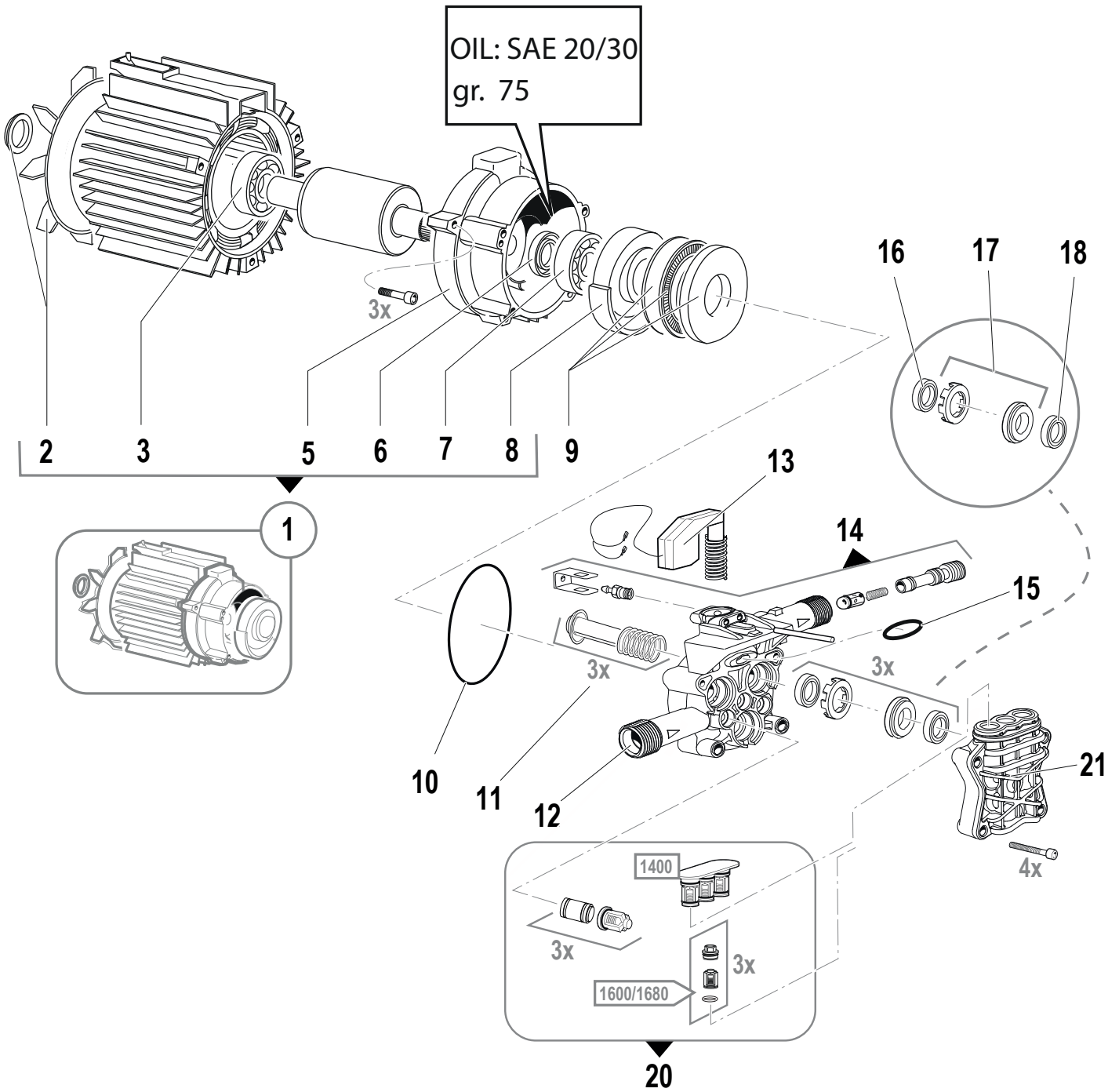


Main Components

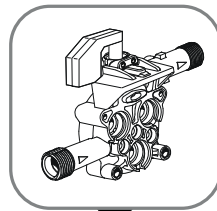
N°	Cod.	Descrizione	Description	Note	Q.ty	Model
1	0477 0621	Guscio Laterale Sinistro	Left Side Cover	RAL 7015	1	
2	0477 0622	Guscio Laterale Destra	Right Side Cover	RAL 7015	1	
3	0477 0623	Carena+Copertura Frontale	Main Cover+Front Cover		1	
4	1003 0101	Fascia Fissaggio Motopompa	Tie for MotorPump Locking		1	
5	7301 0959	Motopompa	MotorPump		1	1400
	7301 0960	Motopompa	MotorPump		1	1600
	7301 0961	Motopompa	MotorPump		1	1680
6	0466 0097	Convogliatore Motore	Motor Conveyour		1	
7	0456 0497	Ferma Cavo	Cable Hook		1	
8	0434 0317	Condensatore	Capacitor	20mF 450V D.39X73 F/M	1	1400
	0434 0067	Condensatore	Capacitor	32mF 450V F/M	1	1600/1680
9	2810 0126	Ruota	Wheel		2	
10	0477 0624	Carenatura Posteriore	Rear Cover	RAL 7015	1	
11	1410 0153	Interruttore 0/1	Switch 0/1	IP55 12/10	1	
12	0477 0668	Porta Accessori	Accessories Support		1	
13	3029 0059	Serbatoio Detergente	Detergent Tank		1	
14	3200 0239	Tappo Serbatoio	Tank Cap		1	
15	1804 0008	Assieme Manovella	Winch Assembly		1	solo/only EXTRA
16	0602 0138	Semi Avvolgitubo	Half Hose Reel		1	solo/only EXTRA
17	0602 0139	Semi Avvolgitubo	Half Hose Reel		1	solo/only EXTRA
18	1411 0079	Assieme Manico	Handle Assembly		1	solo/only 1400 CLASSIC
	1411 0080	Assieme Manico	Handle Assembly		1	solo/only 1400 EXTRA
	1411 0081	Assieme Manico	Handle Assembly		1	solo/only 1600 GOLD CLASSIC
	1411 0082	Assieme Manico	Handle Assembly		1	solo/only 1600 GOLD EXTRA 1680 GOLD PLUS
19	0456 0529	Cavo+Spina Schuko	Cable+Schuko Plug		1	
20	2410 0238	Pistola	Pistol		1	1400
	2410 0285	Pistola	Pistol		1	1600/1680

N°	Cod.	Descrizione	Description	Note	Q.ty	Model
21	3208 1342	Tubo	Hose	1/4" L=6000 180bar	1	1400 CLASSIC 1600 GOLD CLASSIC
	3208 1344	Tubo	Hose	1/4" L=8000 180bar	1	1400 EXTRA 1600 GOLD EXTRA
	3208 1462	Tubo	Hose	1/4" L=8000 180bar	1	1680 GOLD PLUS
22	2803 0715	Innesto Rapido	Quickly connection	3/4"	1	
23	3301 1500	Testina	Nozzle Head	S'12	1	solo/only 1400
24	3400 0774	Testina lancia sapone	Soap Head Lance	S'12	1	solo/only 1400
25	3217 0348	Testina	Nozzle Head	S'12 D.1,025	1	solo/only 1400
26	3400 0781	Testina Rotox	Rotox Nozzle Head	S'12 D.1,025	1	solo/only 1400
28	0011 0044	Adattatore	Adapter	M22x1,5	1	solo/only 1600 GOLD EXTRA 1680 GOLD PLUS
29	3301 1607	Lancia inclinata	Inclined Lance	M22 028 L=440	1	solo/only 1600
	3301 1609	Lancia inclinata	Inclined Lance	M22 025 L=440	1	solo/only 1680
30	3301 1639	Lancia Rotox inclinata	Inclined Rotox Lance	L=430 M22 D.033	1	solo/only 1600/1680
31	1413 0056	Idrospazzola	Hydrobrush		1	solo/only EXTRA/PLUS

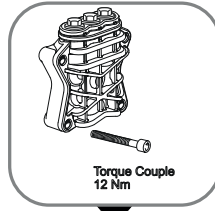
OIL: SAE 20/30
gr. 75



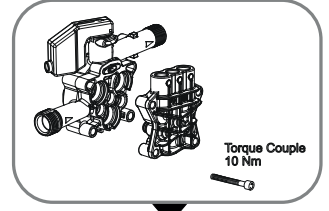
14



25



24



23



Main Components

N°	Cod.	Descrizione	Description	Note	Q.ty	Model
1	7304 0483	Assieme Motopompa	MotorPump Assembly		1	1400
	7304 0484	Assieme Motopompa	MotorPump Assembly		1	1600
	7304 0485	Assieme Motopompa	MotorPump Assembly		1	1680
2	3632 0171	Kit Ventola + Anello	Fan + Ring Kit		1	
3	0438 0154	Cuscinetto a sfere	Ball Bearing	17x35x10	1	
5	1009 0458	Flangia Pompa/Motore	Pump/Motor Flange		1	1400
5	1009 0459	Flangia Pompa/Motore	Pump/Motor Flange		1	1600/1680
6	0019 0222	Anello di tenuta olio	Oil sealing ring	Ø17x35x7	1	
7	0438 0155	Cuscinetto a sfere	Ball Bearing	17x47x14	1	
8	0001 1026	Piattello inclinato	Eccentric Shaft	8°30'	1	1400
8	0001 1027	Piattello inclinato	Eccentric Shaft	9°45'	1	1600/1680
9	0436 0037	Kit gabbie rullini	Roll Cage kit		1	
10	1210 0585	O-Ring	O-Ring	67x2,50	1	
11	2409 0136	Kit Pistoni	Pistons kit		1	
12	2432 0047	Corpo guida pistoni	Pistons guide Casing		1	
13	3103 0049	Kit Total Stop	Total Stop Kit		1	
14	3410 0405	Kit Valvola non ritorno	Check Valve Kit		1	
15	1201 0298	Guarnizione	Gasket	29,7x12,9x2,7	1	
16	5027 0059	Kit Anelli tenuta olio	Oil sealing ring Kit	12x20x5/7	1	
17	5027 0067	Kit Distanziale tenuta olio + anello	Oil sealing spacer + ring Kit		1	

N°	Cod.	Descrizione	Description	Note	Q.ty	Model
18	5019 0298	Kit Anelli appoggio tenuta	Sealing support ring	D.12	1	
20	3604 0072	Kit Valvole Aspirazione/Mandata	Suction/discharge valve kit		1	1400
	3604 0073	Kit Valvole Aspirazione/Mandata	Suction/discharge valve kit		1	1600/1680
21	3218 0580	Testata	Head		1	1400
	3218 0582	Testata	Head		1	1600/1680
23	5027 0095	Kit Ricambio Testata+Corpo Guida	Head+Guide Casing Kit		1	1400
	5027 0096	Kit Ricambio Testata+Corpo Guida	Head+Guide Casing Kit		1	1600/1680
24	5027 0097	Kit Ricambio Testata	Head Kit		1	1400
	5027 0098	Kit Ricambio Testata	Head Kit		1	1600/1680
25	5027 0099	Kit Ricambio Corpo Guida	Guide Casing Kit		1	